



NESTO KG
Gabrovski-Str.81B
Zapadna promichlena zona
5000 V.Tarnovo, Bulgarien
Tel. 00359/ 62/ 623536
00359/ 62/ 601372
office@nesto.bg

QUOTATION

COOLING VACUUM TUMBLER RUHLE MGR 900



Container size: 900 litres
Max. filling: 675 litres
Refrigerant: R404A, 0.76 kg
Mixing arm speed: -25 to +25 rpm
Tumbling arm speed: 0 to +25 rpm



Vacuum: 0 – 95 %

Lifting aid, load capacity: 400 kg

Connection voltage: 400 V 50/60 Hz 3-phase AC / N / PE

Power consumption: 16.1 kW

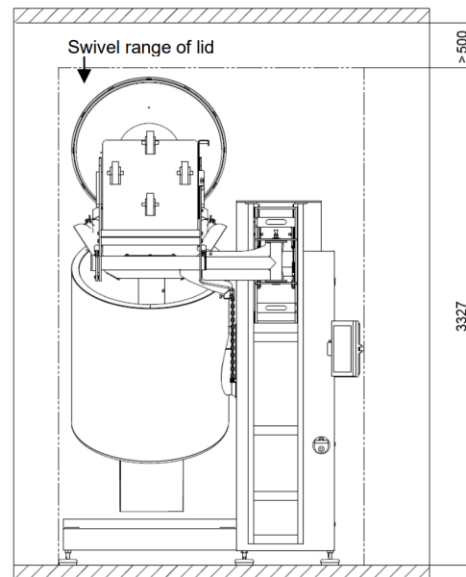
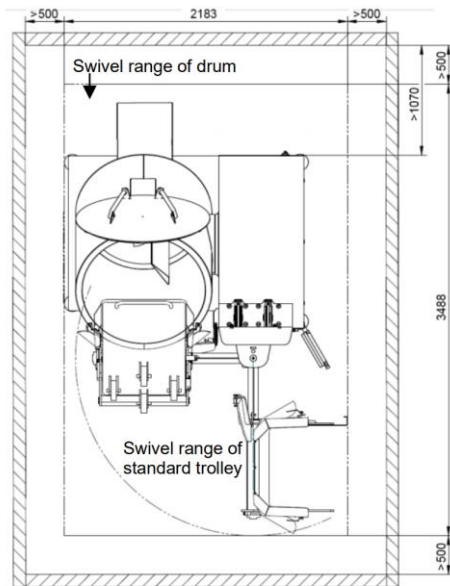
Full-load current: 31.4 A

Back-up fuse max.: 32 A

Protection class: IP54

Ambient temperature: +2 to 40 °C

Dimensions, W x H x D: 2183 x 3327 x 3488 mm



Machine weight: 2100 kg
