

## QUOTATION

### COOLING VACUUM TUMBLER RUHLE



Type: MKR 300

Container capacity: 300 L

Maximum filling quantity of 225 kg

Automatic loading

Automatic unloading

Vacuum 0 – 95 %

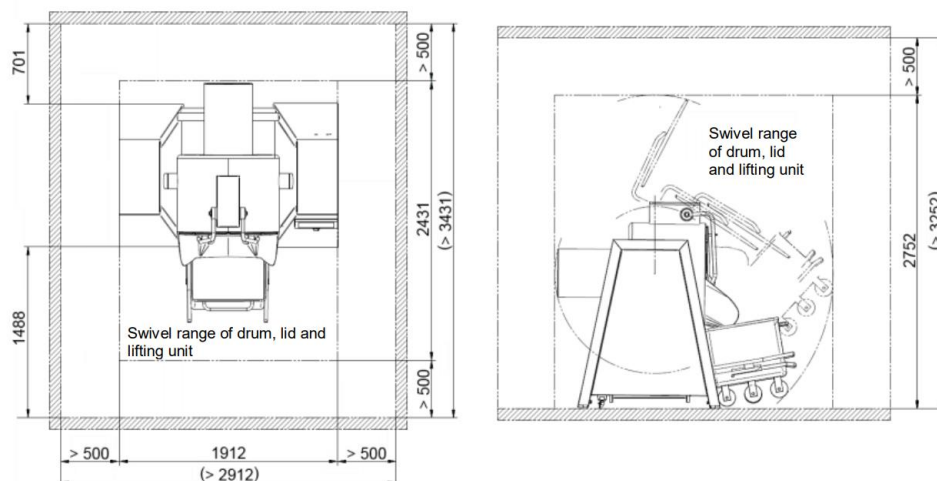
Integrated cooling system

Refrigerant R 404

Computer control of working process



Machine dimensions in mm:



Installed power: 4,2 kW

Voltage: 400 V, 50 Hz