

## QUOTATION

### COOLING VACUUM TUMBLER RUHLE MGR 400



Container size: 400 litres  
Max. filling: 300 litres  
Refrigerant: R404A, 0.76 kg  
Mixing arm speed: -25 to +25 rpm  
Tumbling arm speed: 0 to +25 rpm



Vacuum: 0 – 95 %

Lifting aid, load capacity: 400 kg

Connection voltage: 400 V 50/60 Hz 3-phase AC / N / PE

Power consumption: 8,9 kW

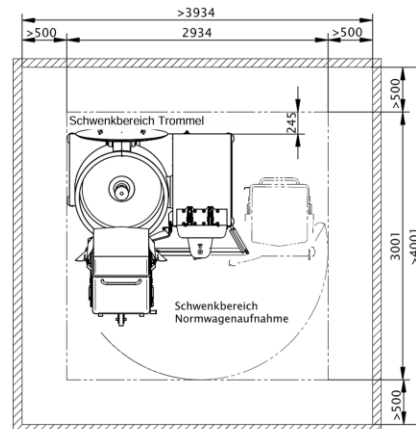
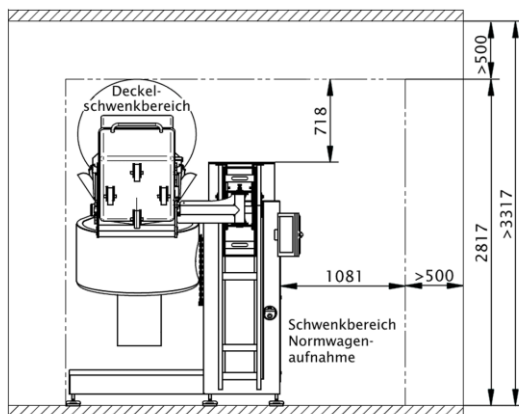
Full-load current: 17,5 A

Back-up fuse max.: 32 A

Protection class: IP54

Ambient temperature: +2 to 40 °C

Dimensions, W x H x D: 2934 x 2817 x 3001 mm



Machine weight: 1400 kg