

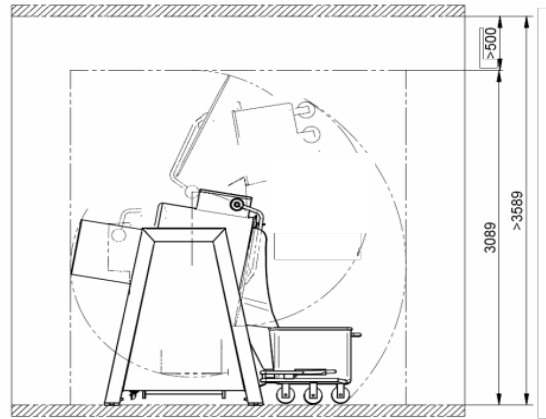
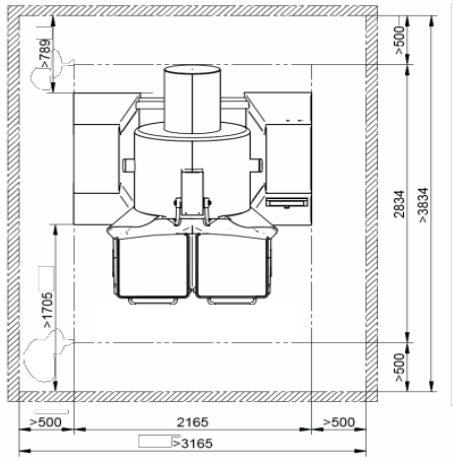
QUOTATION

COOLING VACUUM TUMBLER RUHLE



Container size:	600 litres
Max. filling:	450 litres
Refrigerant:	R404A, 0.76 kg
Speed of mixing and tumbling arm:	0 to 30 rpm

Vacuum:	0 –95 %Lifting aid,
Load capacity:	500 kg
Connection voltage:	400 V50/60 Hz 3-phase AC / N / PE
Power consumption:	6.8 kW
Full-load current:	14.6 A
Back-up fuse max.:	16 A
Protection class:	IP54
Ambient temperature:	+2 to 40 °C
Dimensions W x H x D:	2165 x 3089 x 2834 mm



Machine weight: 1400 kg